

# THE GOLFWORKS®

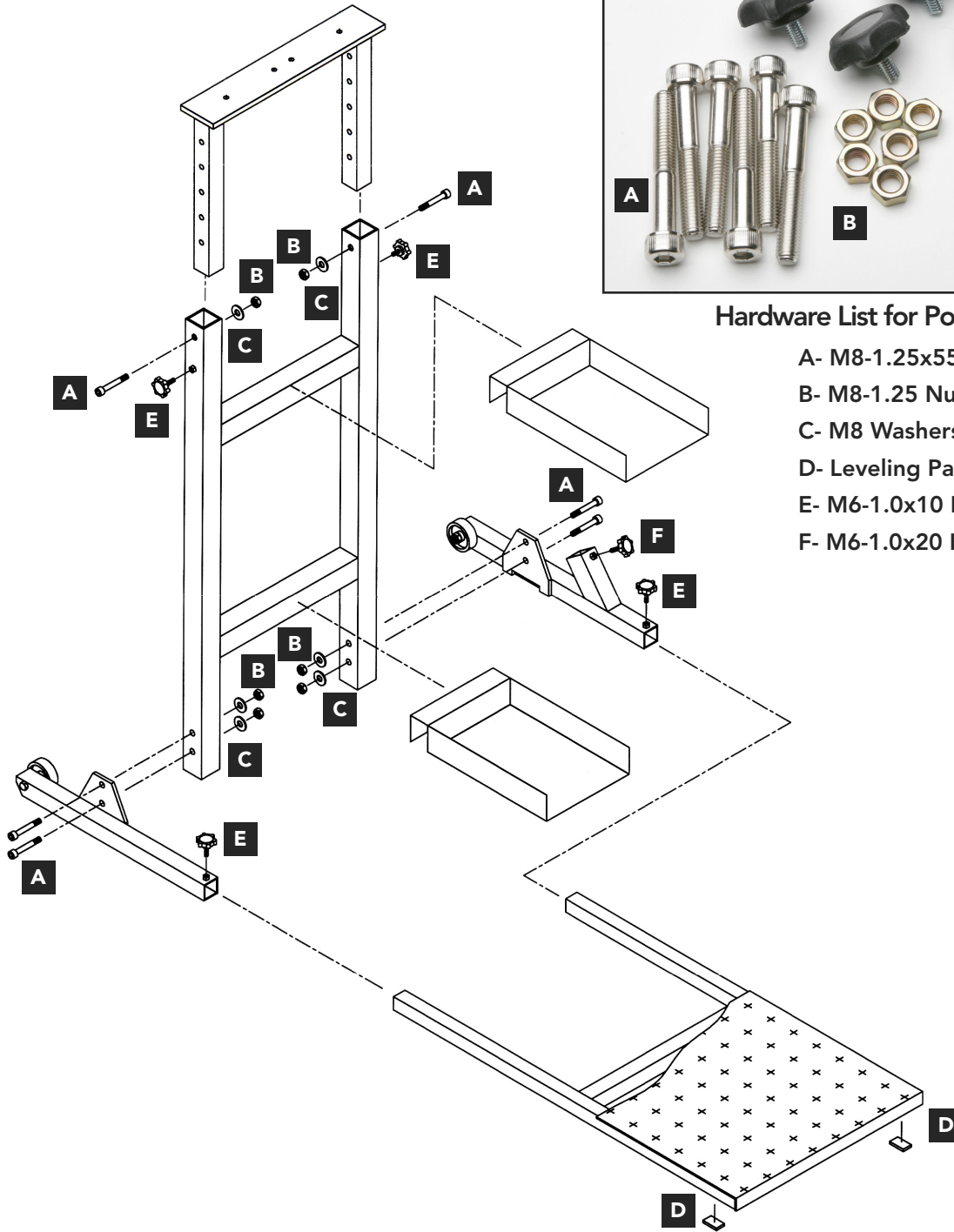
## ASSEMBLY INSTRUCTIONS FOR: MALTBY DESIGN MASTER GRIPPING STATION

Code: MA2015, MA2016



### Hardware List for Portable Stand Assembly:

- A- M8-1.25x55 Bolts (6)
- B- M8-1.25 Nuts (6)
- C- M8 Washers (6)
- D- Leveling Pads (2)
- E- M6-1.0x10 Knobs (4)
- F- M6-1.0x20 Knob (1)

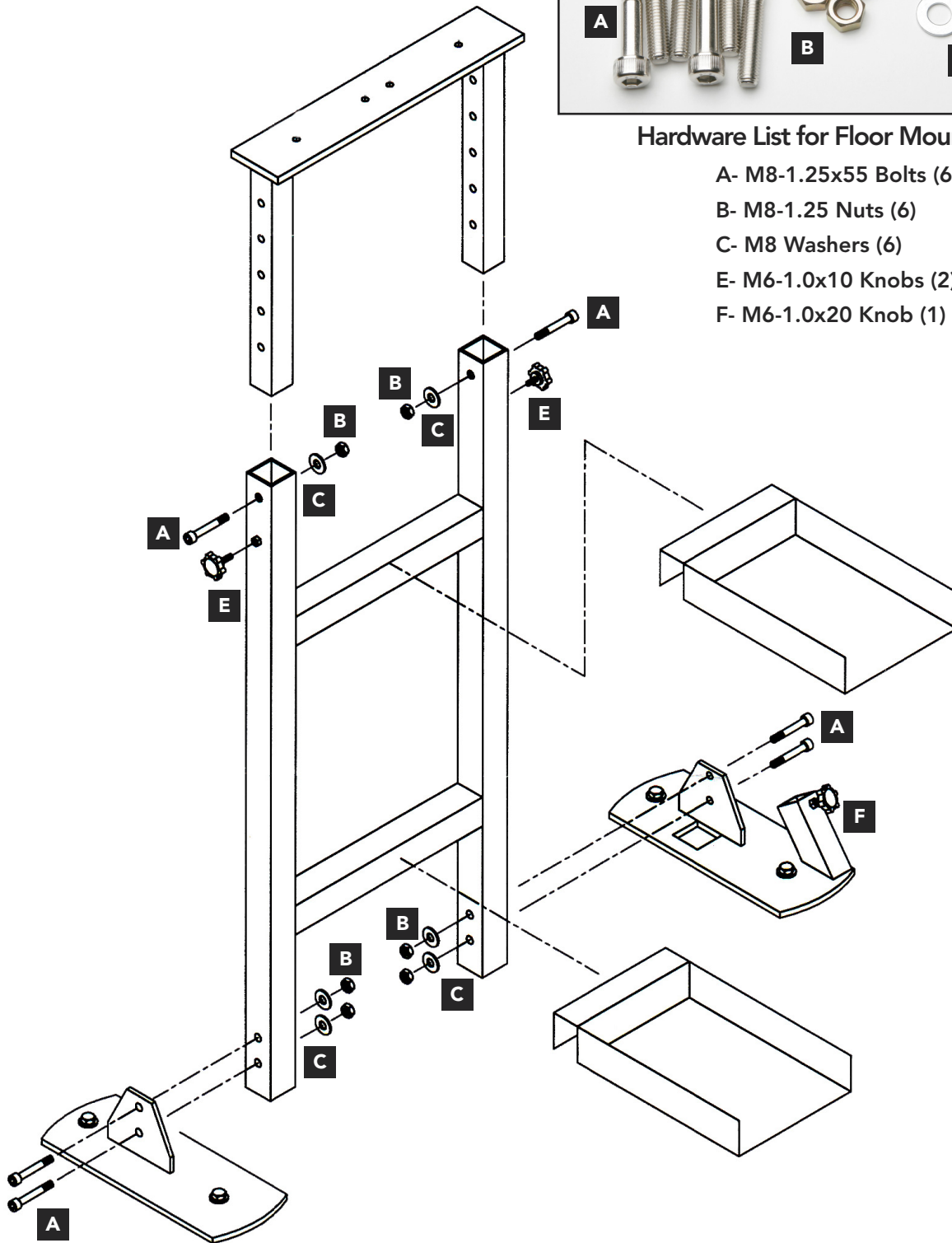


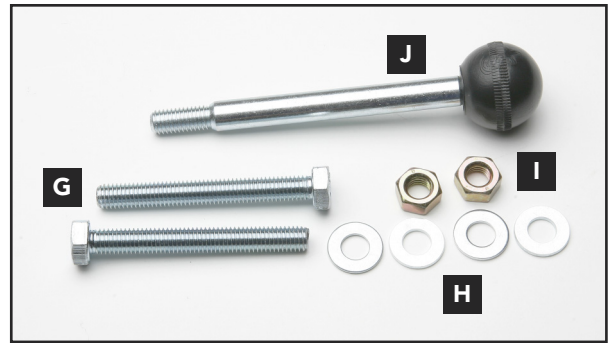
MA2015 09/16



**Hardware List for Floor Mount Stand Assembly:**

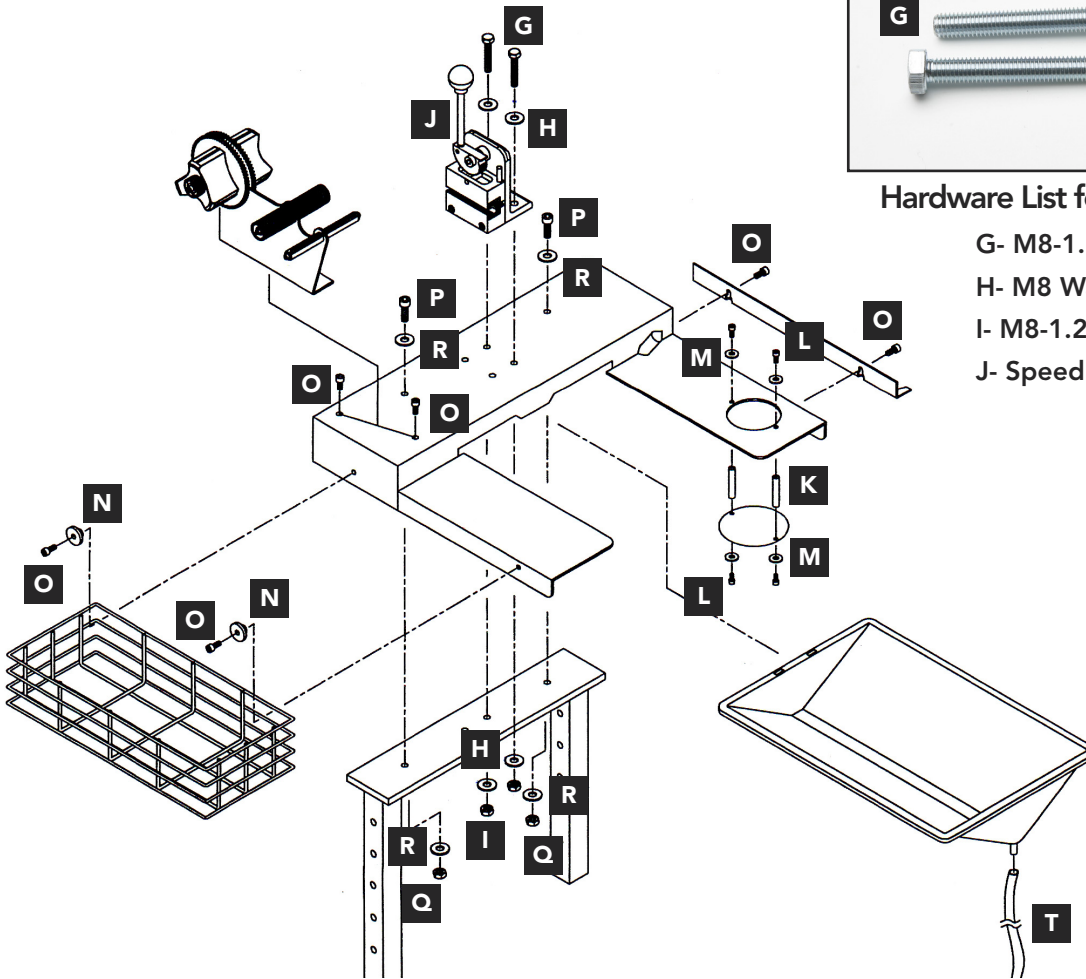
- A- M8-1.25x55 Bolts (6)
- B- M8-1.25 Nuts (6)
- C- M8 Washers (6)
- E- M6-1.0x10 Knobs (2)
- F- M6-1.0x20 Knob (1)





**Hardware List for Speed Clamp Assembly:**

- G- M8-1.25x65 Bolts (2)
- H- M8 Washers (4)
- I- M8-1.25 Nuts (2)
- J- Speed Clamp Handle



**Hardware List for Gripping Station Assembly:**

- K- Extension Rods (2)
  - L- M5-.8x10 Bolts (4)
  - M- M5 Washers (4)
  - N- M6 Washers (2)
  - O- M6-1.0x12 Bolts (6)
  - P- M8-1.25x25 Bolts (2)
  - Q- M8-1.25 Nuts (4-2 extra)
  - R- M8 Washers (4)
  - S- Metrix Hex Key Set
  - T- Solvent Pan Shut Off Valve
- \*Note: Tighten barb ends on valve before use

